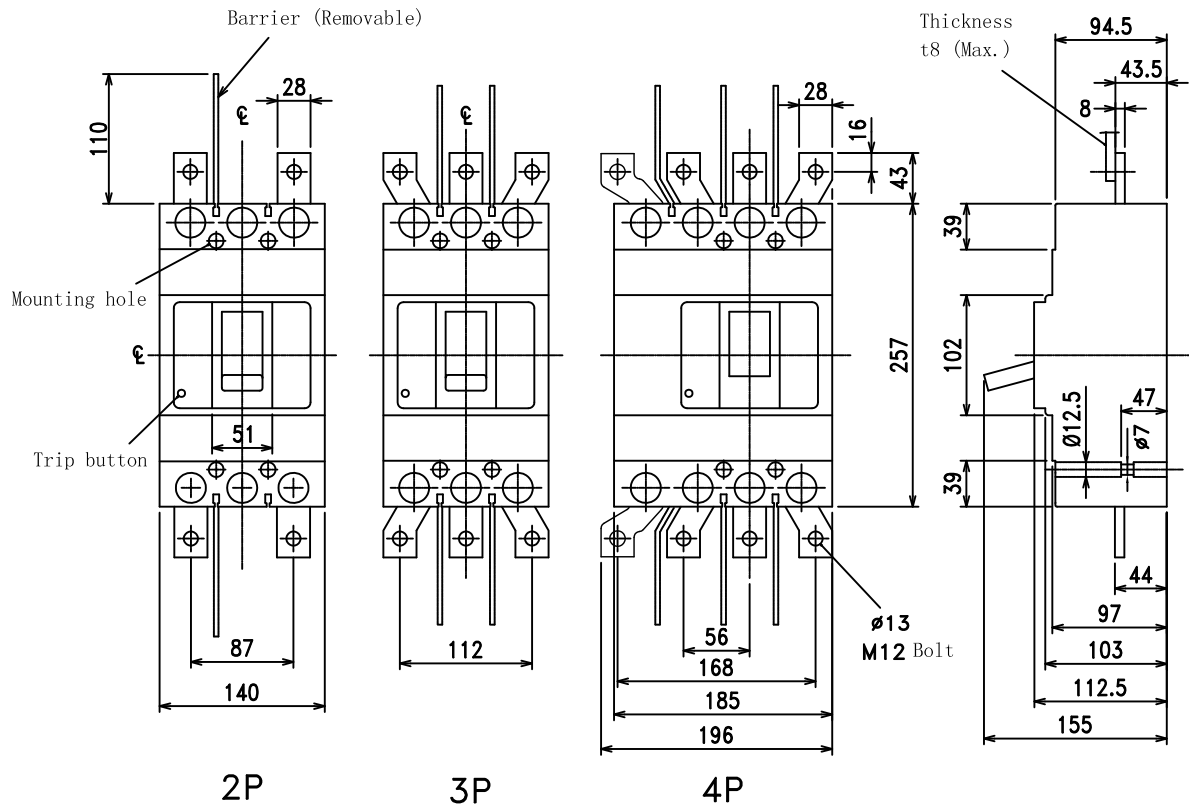
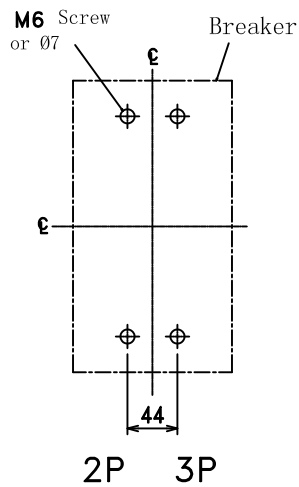


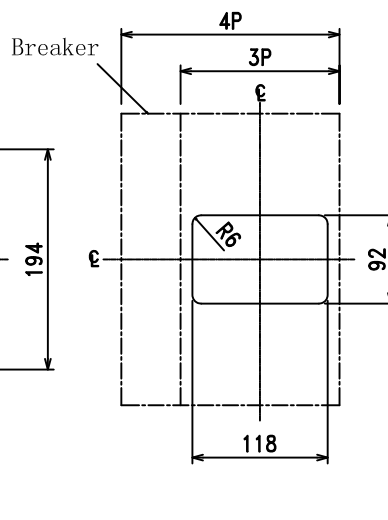
BM400-CN Dimension & Installation



Mounting



Panel cut



Thickness t8 (Max.)

