

1

2

3

4

5

6

a

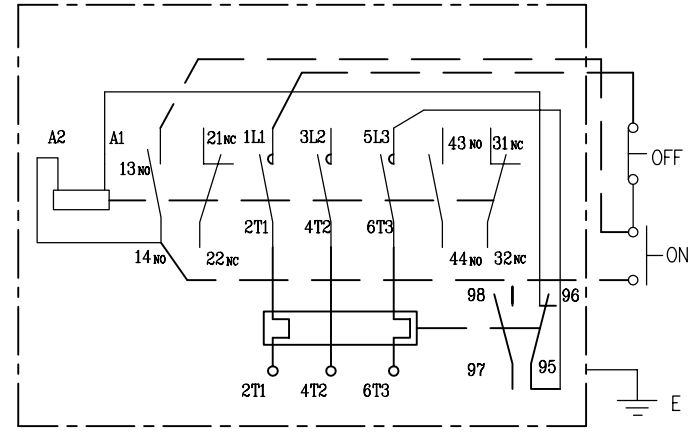
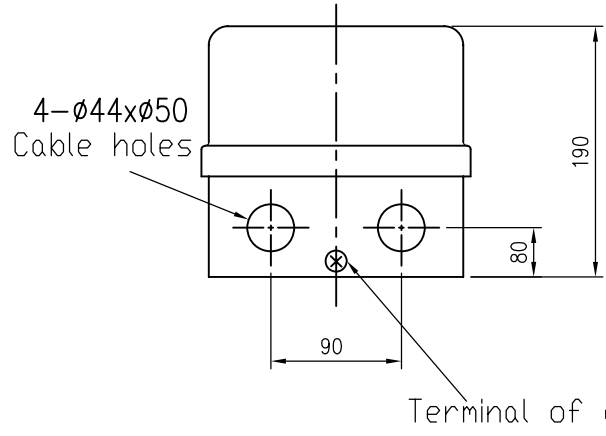
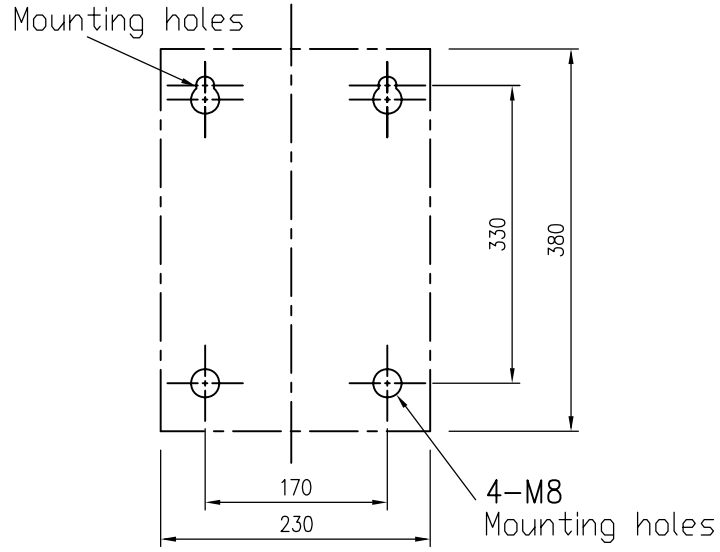
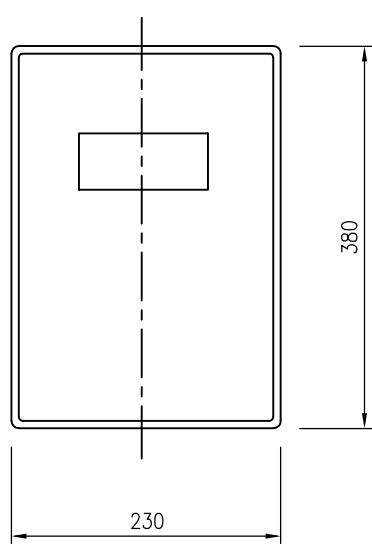
b

c

a

b

c



CHANGE

A

THIRD ANGLE PROJECTION

Category

Enclosed D.O.L. starter

UNIT: mm

Model

MS-P125T, MS-P150T

Shihlin Electric & Engineering Corp.

1

2

3

4

5

6

a

a